

CLASS 150

BRONZE LIFT CHECK VALVE

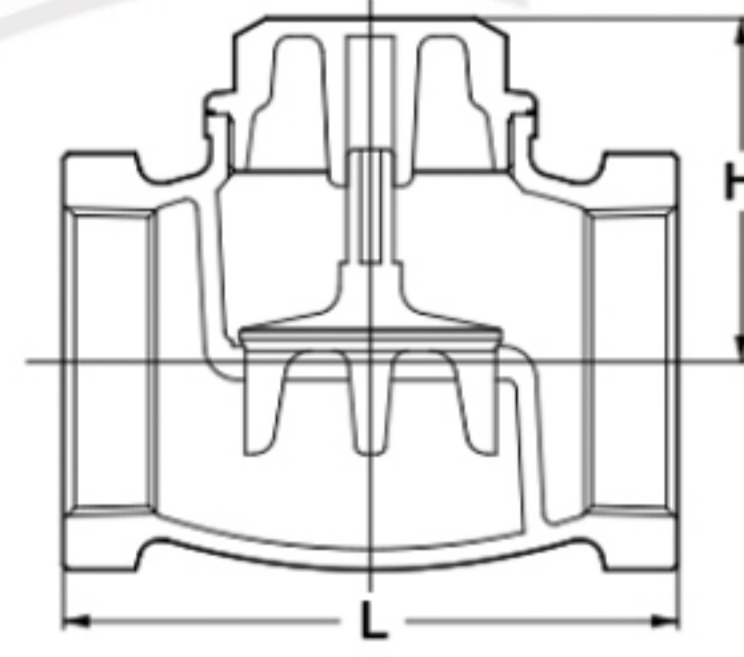
Screwed cap, Lift type disc
Threaded ends to BS21 (JIS B0203) or NPT

W.O.G. non-shock 2.07 MPa (300 psi), Saturated steam pressure 1.03 MPa (150 psi)



Fig. F

- Threaded end to BS21 (JIS B0203)



Materials

Parts	Material
Body	Bronze
Cap	Brass/Bronze*
Disc	Bronze

*Size 2½ & 3

⚠ Don't use for Flammable gas or Toxic gas.

Dimensions

Nominal Size	inch	3/8	1/2	3/4	1	1¼	1½	2	2½	3	mm
	mm	10	15	20	25	32	40	50	65	80	
L		44	53	65	77	85	100	119	139	158	
H		26	28	34	42	50	56	67	79	91	